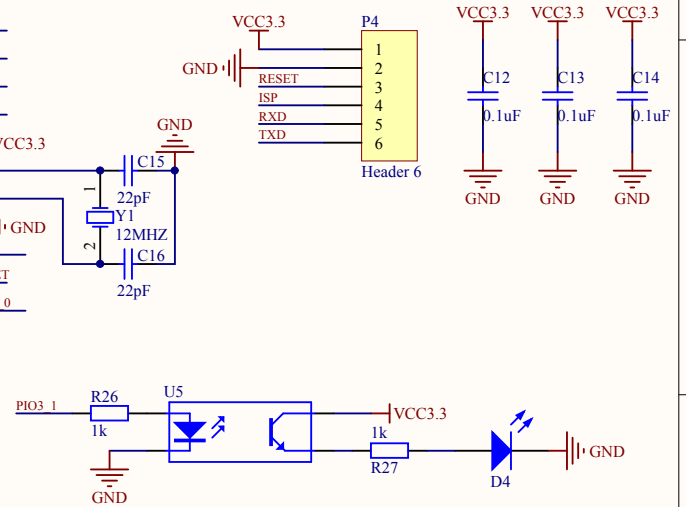
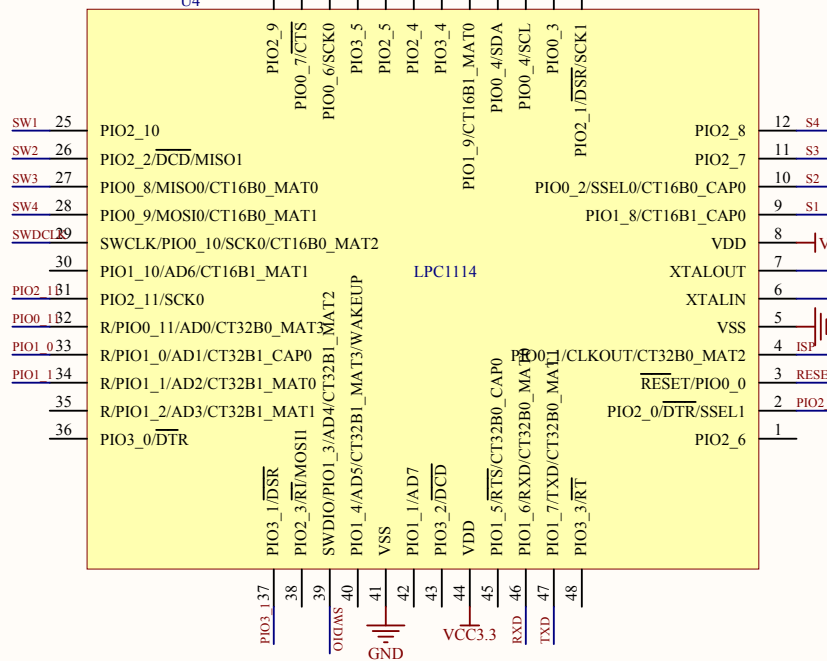
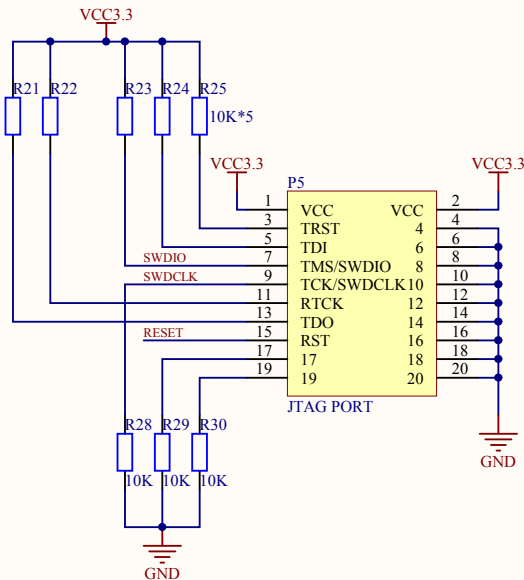
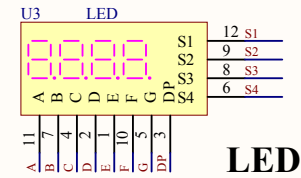
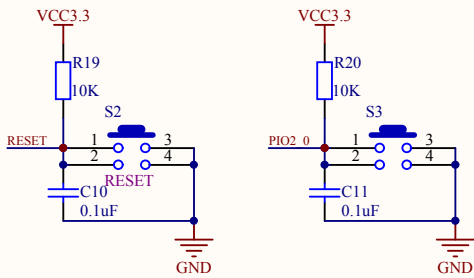
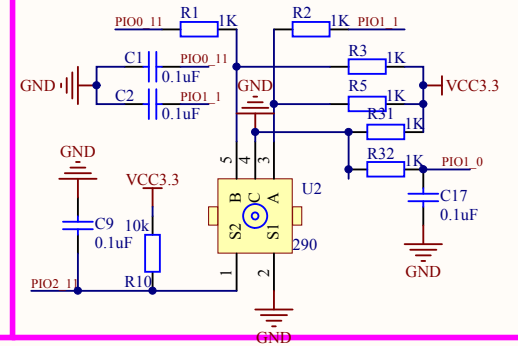
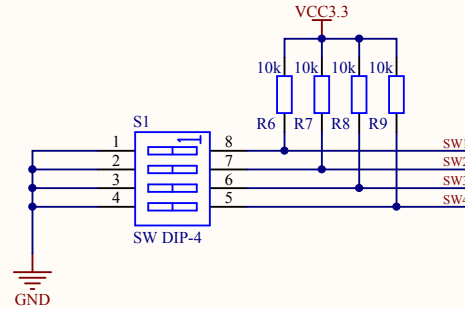
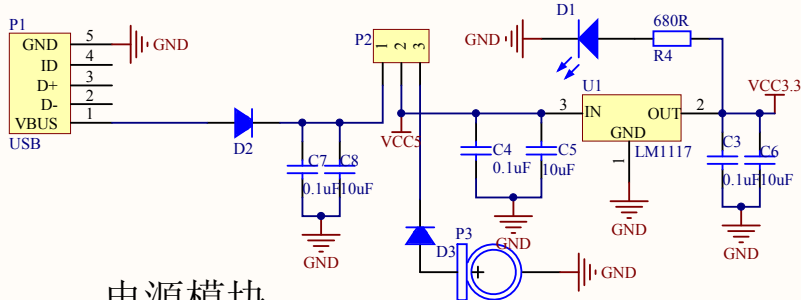


### 电源模块



### LPC1114

Title		
Size	Number	Revision
A4		
Date:	2012-11-29	Sheet of
File:	E:\PCBV \	SchDoc
Drawn By:		